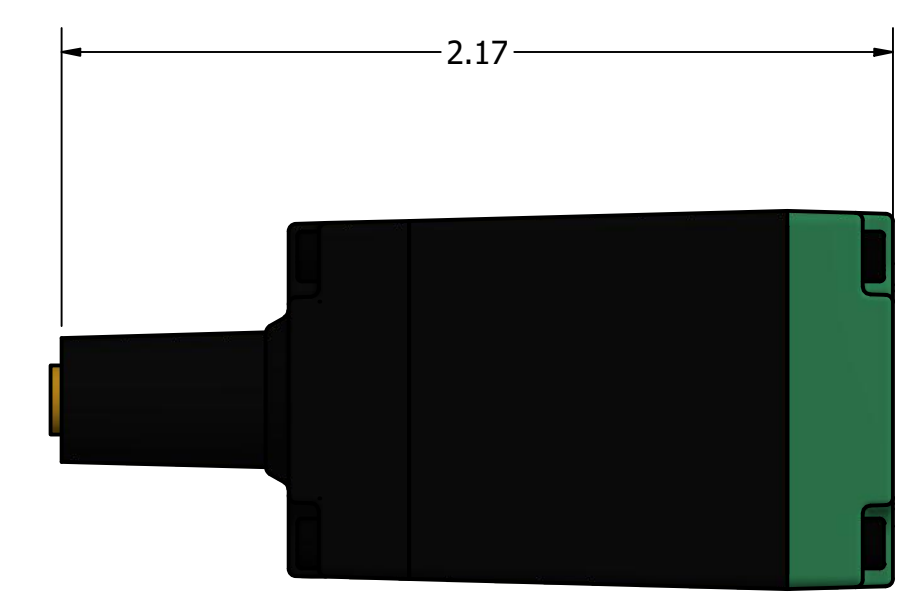
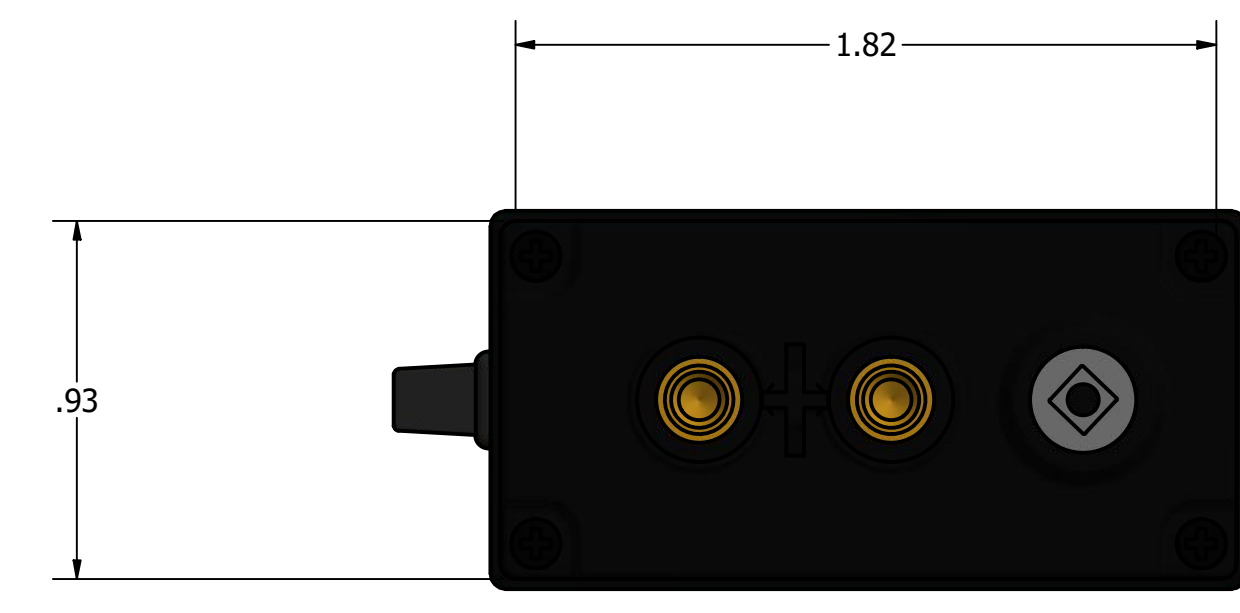
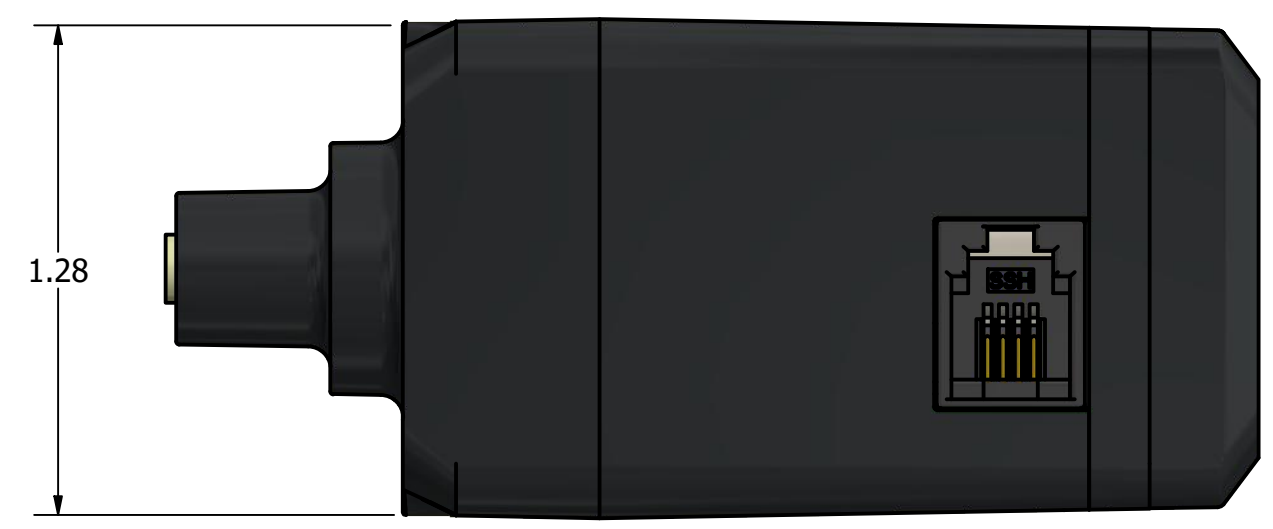
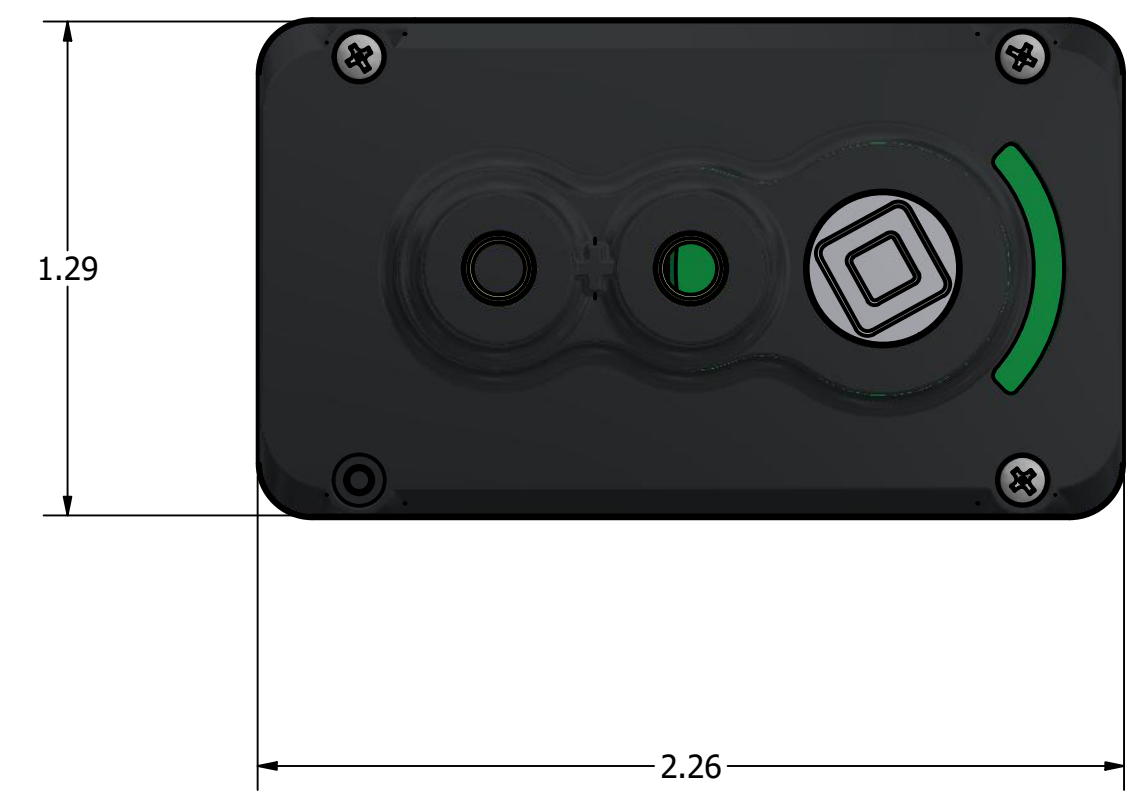
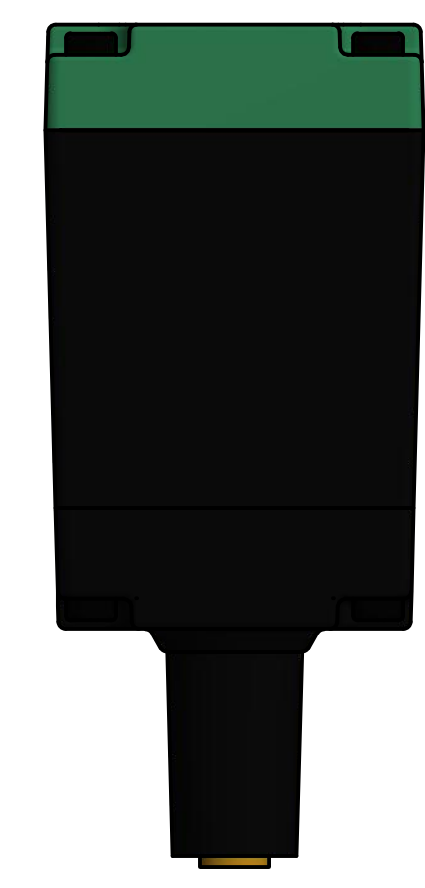
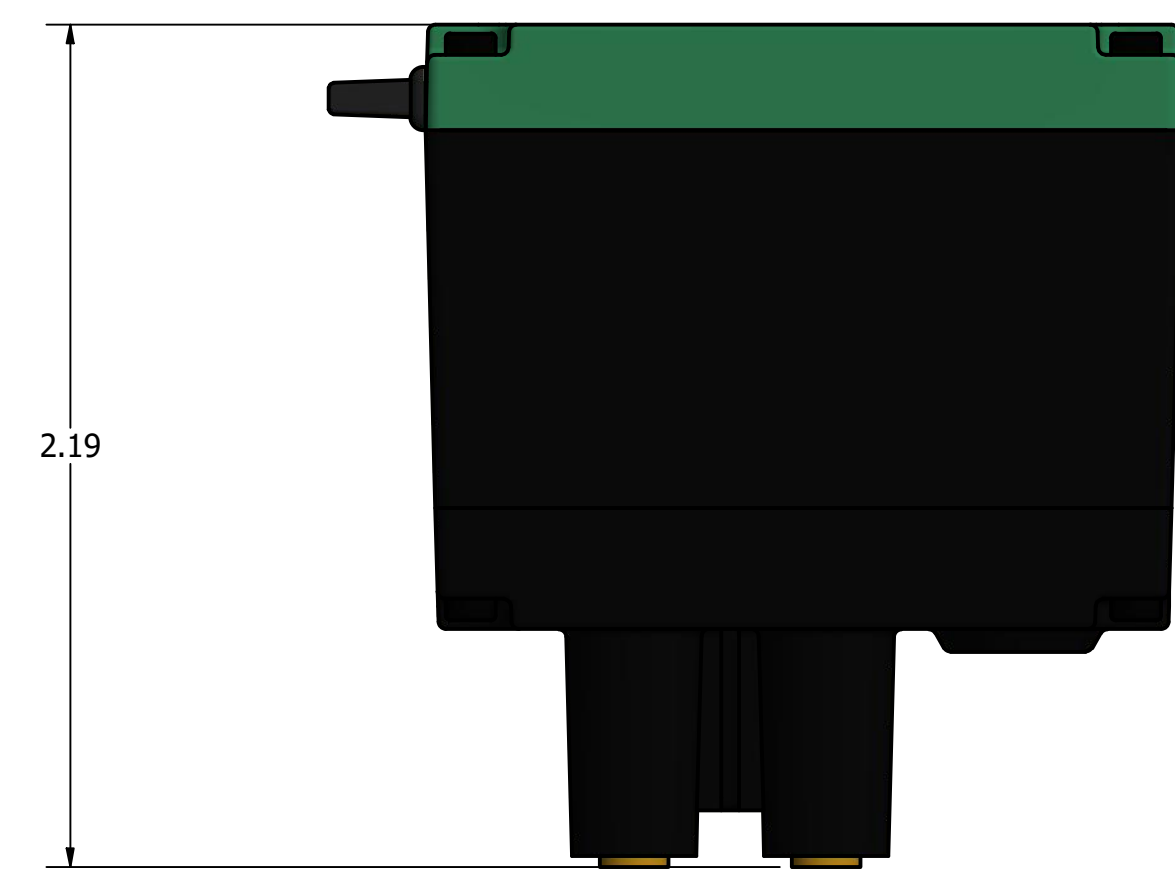
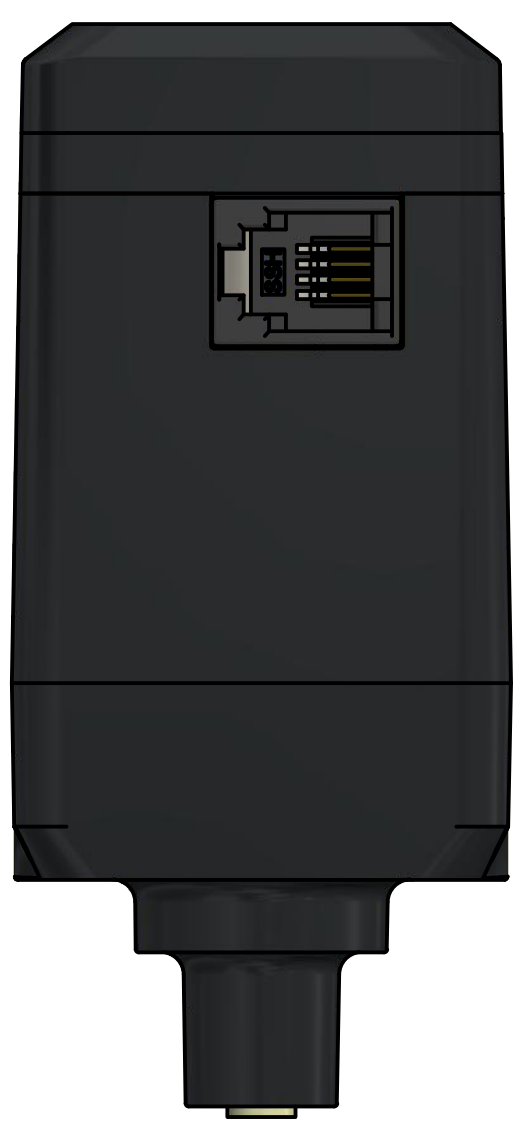
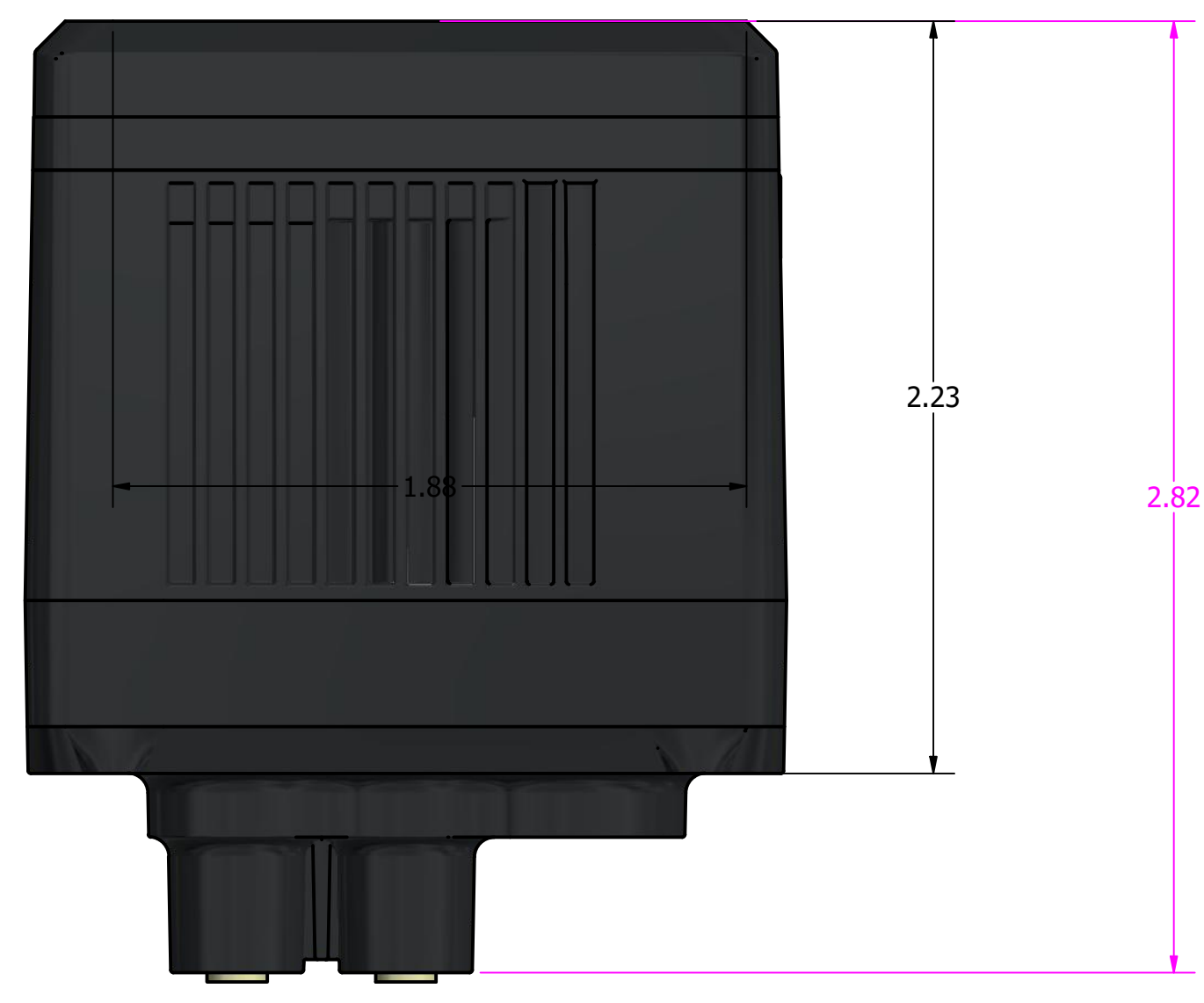


8 7 6 5 4 3 2 1



DRAWN Bradley Grose	6/10/2018	Masuk 4478X		
CHECKED		TITLE		
QA		Motor Comparison		
MFG		SIZE	DWG NO	REV
APPROVED		D		
		SCALE	2	SHEET 1 OF 1

8 7 6 5 4 3 2 1