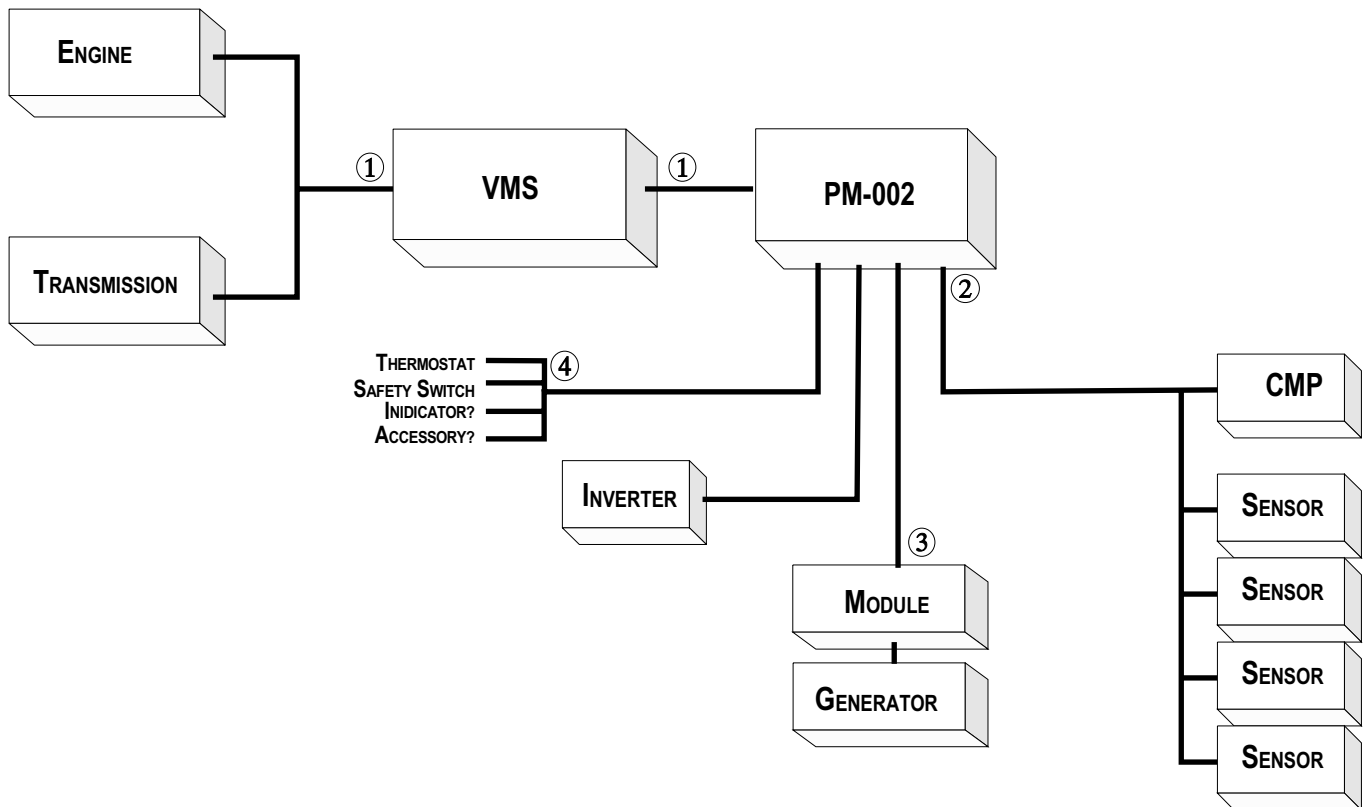


# PM-002 Wiring Overview

SilverLeaf Electronics  
June 15, 2000



- ① All VMS inputs are standard J1708/J1587 twisted pair. The VMS allows for two separate networks - one for the engine/transmission, and one for the PM--002 and other accessories. See VMS documentation for connector specifications.
- ② The PM-002 has six RJ-11 connectors, one for each application as shown, two are reserved for future expansion. See next page for connector specification.
- ③ See Onan documentation for specifications for the genset, control module, and wiring.
- ④ The PM-002 Discrete I/O Port accepts two inputs and two outputs. The inputs are programmed for a thermostat and an "off" switch. See next page for details.

## Accessory Ports - RJ-11

### Port 1 - Genset

Type - LonTalk RS-485

1 - Unused

2 - Unused

3 - Data +

4 - Data -

5 - Unused

6 - Unused

The LED will blink fairly rapidly when communicating with the generator.

### Port 2 - ProSine Inverter

Type - RS-485

1 - Unused

2 - Unused

3 - Data -

4 - Data +

5 - Ground

6 - Unused

Use conventional phone wire to hook up with ProSine.

Under normal operation the LED will blink fairly rapidly. It may stop when the inverter or PM-002 is reset, but should resume blinking within ten seconds.

### Port 3 - CMP

Type - RS-485

1 - Unused

2 - Unused

3 - Data -

4 - Data +

5 - Ground (Optional)

6 - Unused

The LED will blink while the CMP is polling its sensors.

### Port 4, 5 - Unused

Type - RS-232

1 - Unused

2 - Tx (Transmit)

3 - Rx (Receive)

4 - Unused

5 - Ground

6 - Unused

### Port 6 - Auxiliary Inputs

Type - Discrete I/O

1 - Output (Unused)

2 - Reserved

3 - "Safety Switch" Input

4 - Thermostat Input

5 - Ground

6 - Output (Unused)

If the Safety Switch Input is grounded, the automatic genstart features of the PM-002 will not activate. The genset can still be manually started through the VMS or ordinary start switch. If the Thermostat switch is grounded, the PM-002 will start and run the generator for as long as its grounded. Thus it can be directly attached to most thermostat outputs.

## VMS Port - Molex Mini-Fit

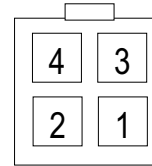
Type - J1708

1 - Power

2 - Ground

3 - Data +

4 - Data -



Wire Side View